

INTERDEPARTMENT CORRESPONDENCE

Real Estate and Rights of Way Department
March 19, 1973

TO RECORDS CENTER:

Attached is fully executed copy of ~~agreement~~/permit from:

Grand Trunk Western Railroad Company Railroad File L-68-68

Facilities Covered:

Three No. 3/0 ACSR 24,000-volt wires (8 spans Pole A-I)
Three No. 2 ACSR 4800-volt wires (2 spans Pole I-K)

Occupation of 10 poles, 9 anchored guys.

Specific Location:

From Wordsworth South to Kress Substation East of the intersection of
Spencer and Fair.

R. R. Valuation Station _____ Mile Post 9.91 to 10.22

City/Village Ferndale Township Royal Oak, SW 1/4 Section 35

County Oakland Detroit Edison Plan No. P.O. 731

~~agreement~~/Permit Date September 11, 1972 R. R. Plan No. L-63-72

Preparation Fee \$50.00 Annual Rental \$125.00

Supersedes and Cancels Agreement dated _____

Attached Agreement is to be made a part of R/W _____

Attached Grand Trunk Western Railroad Permit No. 476 to be made a part
of R/W No. 9064.

HLB
Encl.


W. C. Arnold, Director
Real Estate and Rights of Way Dept.

RECORDED RIGHT OF WAY NO. 34636
9273

L-68-68



Grand Trunk Western Railroad Co

131 West Lafayette Boulevard
Detroit, Michigan 48226

March 14, 1973

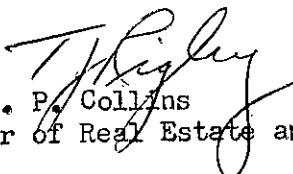
Mr. W. C. Arnold, Director
Real Estate and Right of Way Dept.
The Detroit Edison Company
2000 Second Avenue
Detroit, Michigan 48226

Dear Mr. Arnold:

Attached hereto for your records is fully executed copy of Permit No. 476 dated September 11, 1972 covering wire crossing at Ferndale, Michigan.

Kindly acknowledge receipt of the attachment by signing and returning the duplicate copy of this letter.

Yours very truly,


For: W. P. Collins
Manager of Real Estate and Tax

RECEIVED 3-17-73, 1973
BY W. C. Arnold

RECORDED RIGHT OF WAY NO. 34636
p273

THE DETROIT EDISON COMPANY

2000 SECOND AVENUE
DETROIT, MICHIGAN 48226

March 7, 1973

Railroad File No. L-68-68

Permit No. 476

Mr. Frank J. Surmacz
Assistant Manager of Real Estate
Grand Trunk Western Railroad Company
131 West Lafayette Blvd.
Detroit, Michigan 48226

Dear Mr. Surmacz:

We are returning agreement/permit, in duplicate, covering our facilities over your ~~tracks and/or~~ right of way as shown on our Plan P. O. 731 and located as follows:


From Wordsworth South to our Kress Substation East of the intersection of Spencer and Fair. From M.P. 9.91 to 10.22.

(10 poles 9 anchored guys, 24 and 4.8 KV Wires)

City/~~site~~ Ferndale Township, Royal Oak, SW 1/4 Sec 35,
County Oakland. The ~~agreement/permit~~ permit has been signed for our Company.

Will you please return one fully executed copy of this ~~agreement/permit~~ permit to us for our records.

Yours very truly,


W. C. Arnold, Director
Real Estate and Rights of Way Dept.

HLB
Encl.

RECORDED RIGHT OF WAY NO. 37636
4273

APPLICATION FOR RIGHT OF WAY

DE FORM MS 80 6-58

PLEASE SECURE RIGHT OF WAY AS FOLLOWS:

DATE 8-29-72

LOCATION Part of the N.W. 1/4 & S.W. 1/4 of Sect.

APPLICATION NO. P.O. - 731

35, T.IN R.IIE ON GTWRR RIW

DEPT. ORDER NO. _____

CITY OR VILLAGE City of Ferndale

O. F. W. NO. 2EJ8H9/H02

TOWNSHIP Royal Oak COUNTY Oakland

BUDGET ITEM NO. 2EJ8H-KIH

DATE BY WHICH RIGHT OF WAY IS WANTED 11-10-72

INQUIRY NO. _____

THIS R/W IS 100 % OF TOTAL PROJECT NO. 2EJ8A ACCUM. _____ %.

JOINT RIGHT OF WAY REQUIRED YES NO

NOTE: Identify on print or sketch the subdivisions as to section location and liber and page.

KIND AND DESCRIPTION OF RIGHT OF WAY REQUESTED 24KV to parallel West R.O.W. Line from 41 to

56' East of said line between 120KV Tower #3559 and Tower #3555.

PURPOSE OF RIGHT OF WAY To clear the Lincoln - Northeast - Northwest 120KV Tower line

for 120KV operation.

SIGNED John Thomas
Pontiac OFFICE

Service Planner

RECORDED RIGHT OF WAY NO. 54636
ps 73

REPORT OF REAL ESTATE AND RIGHTS OF WAY DEPT.

Permission granted by Grand Trunk Western Railroad to occupy their right of way with 10 poles, 9 anchored guys, 24 and 4.8 KV wires per their Permit No. 476, to be placed in Records Center under Right of Way No. 9064.

PERMITS IN GENERAL FILES _____ R/W DEPT. FILE _____ GRANTOR _____

NO. OF PERMITS _____ NO. OF STRUCTURES _____ NO. OF MILES _____ PERMITS TO MBT _____

DATE 3-9-73 SIGNED Hazel L. Brandon

**W. C. Arnold, Director
Real Estate and Rights of Way Department**

HLB

August 29, 1972

Mr. F. E. Rosenkranz
Engineer of Surveys and Construction
Grand Trunk Western Railroad Company
400 East Atwater
Detroit, Michigan 48226

Dear Mr. Rosenkranz:

We have had a 24,000-volt lead attached to four towers located on your right of way from Wordsworth South to our Kress Substation East of the intersection of Spencer and Fair, in the City of Ferndale, in the South-west Quarter of Section 35, Royal Oak Township, Oakland County, Michigan. We now propose to remove this lead from the towers and place it on wood poles to be located on your right of way. This will require 8 new wood poles (Pole B to Pole I) carrying three No. 3/0 ACSR 24,000-volt wires. Pole A is an existing pole covered under Crossing RX-4026, your Permit No. 452, File L-68-63. We propose to extend three No. 2 ACSR 4800-volt wires from Pole I to two additional new poles South of Pole I. The total installation will include 9 new anchored guys.

Attached are five copies of our Drawing PO-731 dated August 10, 1972, showing details of the proposed installation.

Will you please grant us your permission to make this installation.

Yours very truly,

I. W. Gamble
Assistant to Director
Real Estate and Rights of Way Dept.

HLB
Encl.

11-9-72
Mark Shuman
is holding this
permit he has
been requested
for change a
\$500 annual rental
and he thinks
its for
much for
this
I think

RECORDED RIGHT OF WAY NO. 34636
42713

10 poles
9 anchored guys
24,000 volt
4800 volt
DMD? 9.91 to 10.22

WORDSWORTH

CHANNING

SILMAN

JEWELL

SPENCER

WEBSTER

G. T. W.

BLDG.

KRESS SUB-STATION

PLDG.

KRESS SUB-STATION

G. T. W. R.R.

TRK 2112-A-B

4.8 KV EASEMENT

IN 3-2ACSR

4.8 KV

SCALE 1" = 50'

RECORDED R/W FILE NO. 34636P273

R/W REQUIRED

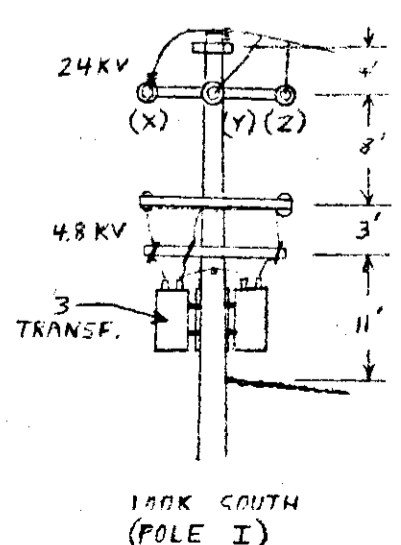
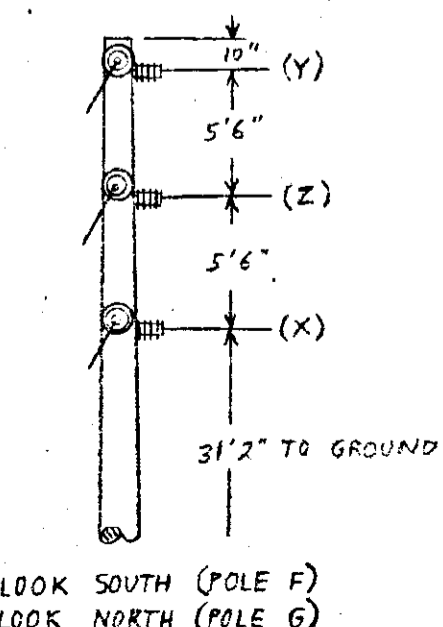
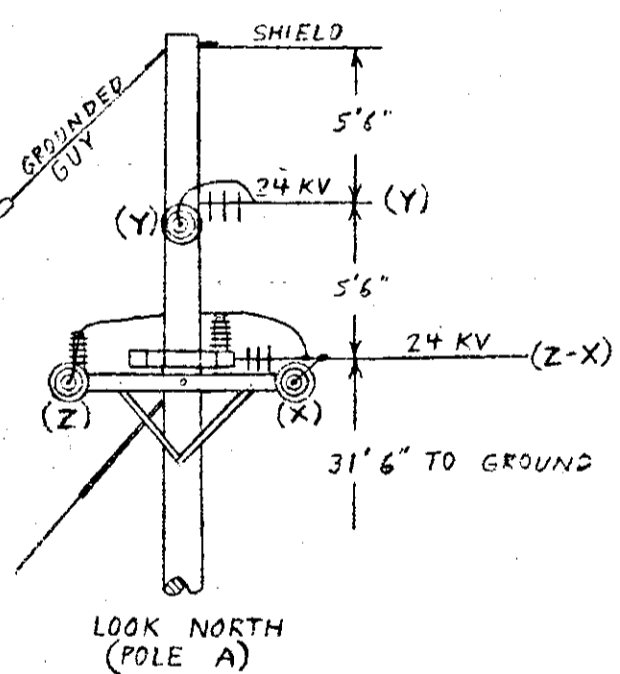
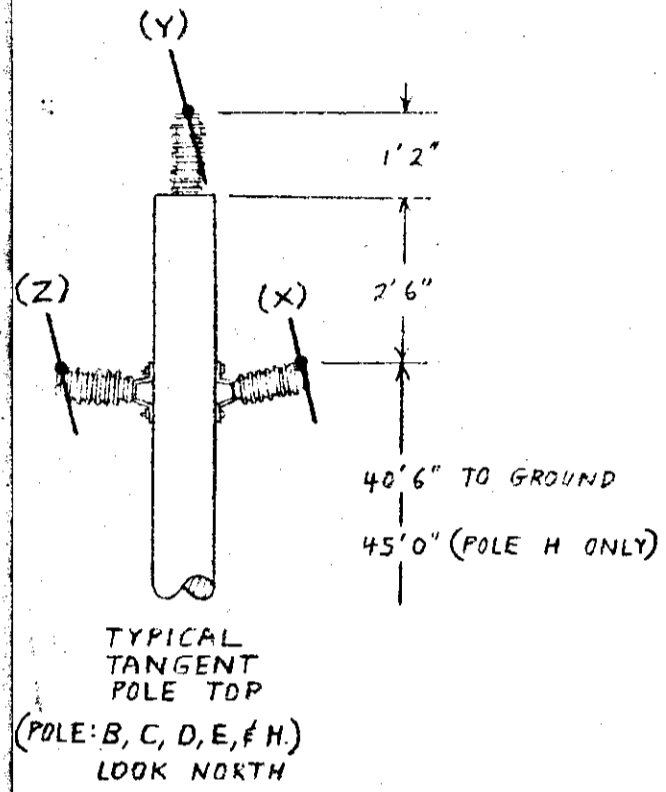
24 KV LEAD.
RE-ROUTE OF 4.8 KV LEAD.

PROJ.# 2FJ8A

REPORT OF PROPERTIES AND RIGHTS OF WAY DEPARTMENT R/W SECURED AS INDICATED ON THIS SKETCH		PERMITS TO:	
BY: _____	DATE WANTED: 11-10-72	RECORD CENTER _____	R/W FILES _____
DISTRICT FIELDMAN _____		MBT _____	ORIGINATOR _____
		TOTAL _____	

THE DETROIT EDISON COMPANY OVERHEAD LINES DEPARTMENT			
CITY OR TOWNSHIP FERNDALE	COUNTY OAKLAND	TWP. SECT. NO. 35	DEPT. ORDER NO. B-
MAP SECT. 310.106	TOWN RANGE 11E	JOINT R/W REQUIRED <input type="checkbox"/> YES <input checked="" type="checkbox"/> NO	R/W NO. PO. 731
M.B.T. ENGINEER	M.B.T. DISTRICT		D.F.W. NO. 2FJ8H9/H02
CIRCUIT 24 KV TRUNK # 2112-A-B			PART OR FOR NO.
REASON TOWER LEAD TO BE ENERGIZED AT 120 KV			BUDGET ITEM NO. 2FJ8H-K1H
SCALE 1" = 100'		STAKED YES	PAVED NO
ESTIMATOR M. GREENEN	O.H.L. DISTRICT 4	DATE 8-10-72	

*SW 1/4 Sec 35-10-72
Revised
Twp*



THESE POLES HAVE NOT BEEN STAKED



RECORDED RIGHT OF WAY NO. 34636
p273